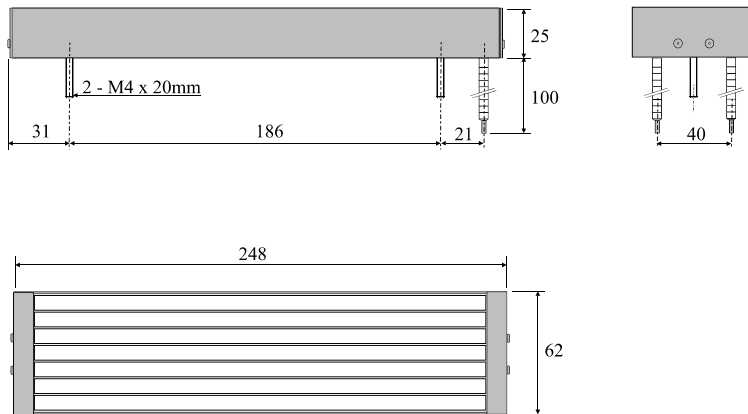
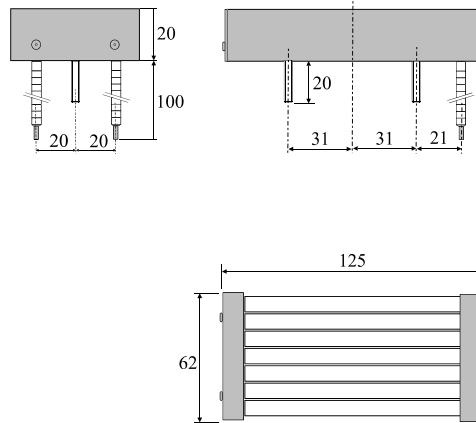


FSQ



Ratings (watts)	150	200	250	300	400	500	600	650	750	1000
------------------------	-----	-----	-----	-----	-----	-----	-----	-----	-----	------

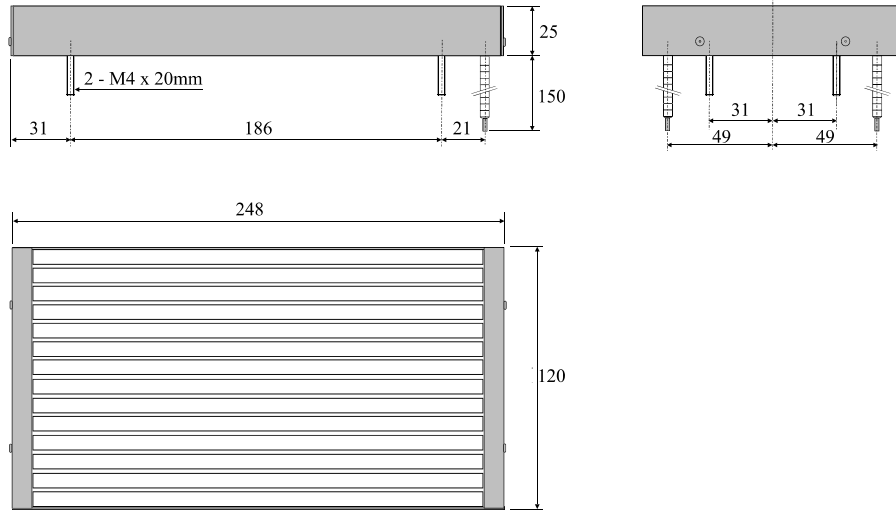
HSQ



Ratings (watts)	150	200	250	300	375	500
------------------------	-----	-----	-----	-----	-----	-----

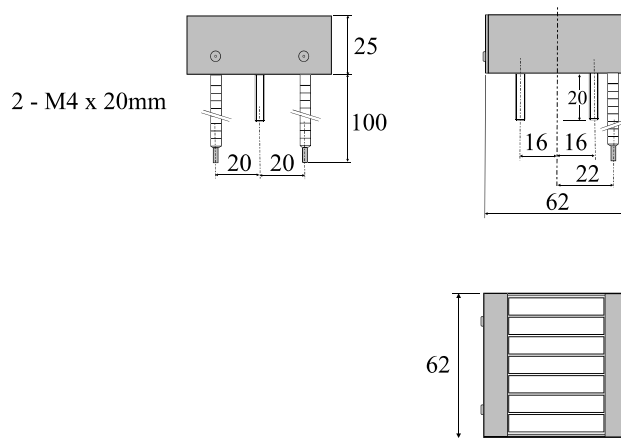


LQE



Ratings (watts)	750	1000	1250	1500
------------------------	-----	------	------	------

QSQ



Ratings (watts)	75	125	150	250	300
------------------------	----	-----	-----	-----	-----

Standard Specification:

Voltage:	230 (other voltages available on request)
Termination:	100mm ceramic beaded tails (other lengths available on request)
Temperature range:	475 - 975°C
Average operating life:	5000 hours

