



RING TERMINALS

Uninsulated

Stud Size	Compatible Cable Size	
	1.0mm ² - 2.5mm ²	2.5mm ² - 6.5mm ²
M4	✓	✓
M5	✓	✓
M6	✓	✓
M8		✓

Material Options	Pure Nickel	Nickel Plated Copper
Max. Temperature	650°C	350°C

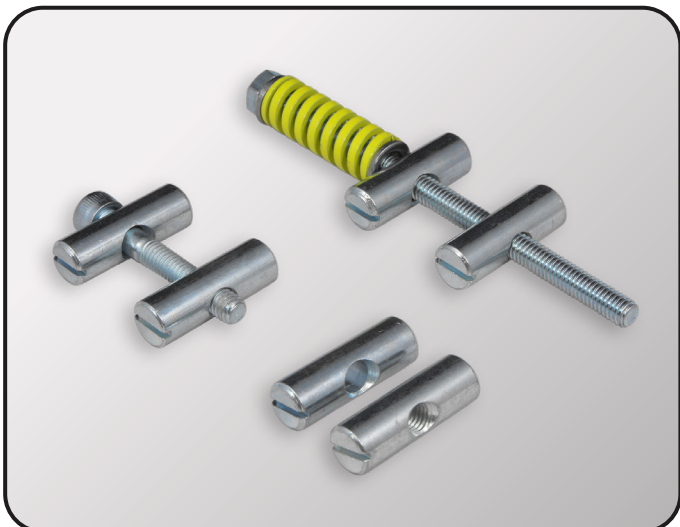


CONNECTOR BLOCKS

Ceramic Body

Block Type	Power Rating			
	16A	32A	57A	76A
1 Way	✓	✓	✓	✓
2 Way	✓	✓	✓	✓
3 Way	✓	✓	✓	✓
3 Phase	[configuration dependant]			

Contact Material	Nickel Plated Brass
Max. Temperature	800°C



SCROLL PINS (PAIR)

1 x threaded - 1 x shot hole

Scroll Pin Length	Available Options
25mm	Scroll Pins Only
	+ 60mm Long Bolt
	+ 100mm Long Bolt + Expansion Spring
30mm	Scroll Pins Only
	+ 60mm Long Bolt
	+ 100mm Long Bolt + Expansion Spring

Material	Zinc Plated Steel
Thread Size	M6

