

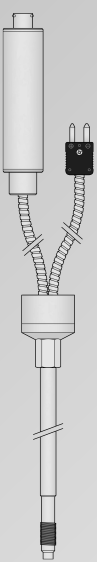


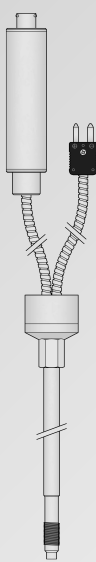


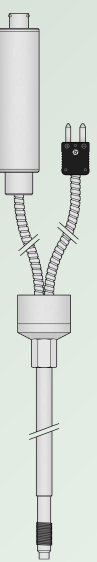


## DESIGN SPECIFICATIONS

Pressure Range	50–2,000 Bar, 750–10,000 PSI
Supply Voltage	6–10 V [DC], 12–36 V [DC]
Housing Material	Stainless Steel [1.4571]
Diaphragm Material	Stainless Steel (with high flexible special non-stick coating)
Capillary Extension Material	Stainless Steel
Storage Temperature	–20°C to 125°C
Maximum Diaphragm Temperature	300°C (Mercury/Silicone/NaK free filling fluid), 450°C (NaK filling fluid)
Maximum Head Temperature	125°C
Relative Humidity	20% to 95% condensation
Accuracy	± 0.50%, ± 0.25%, ± 0.15%
Maximum Overload Pressure	2x final value
Filling Liquid	Mercury free, Silicone free, (NaK free dependant on temperature)
Calibration Point	80% of final value
Maximum Calibration Deviation	5% of final value
Reproducibility	± 0.10% of final value
Bridge Resistor	350 Ω
Insulation Resistance	1000 MΩ @ 50°C
Ingress Protection	Housing = IP65, Plug = IP55

## DESIGN OPTIONS

TRANSDUCER		
STANDARD		
FIXED SHAFT	FLEXIBLE SHAFT	
WITHOUT INTEGRAL THERMOCOUPLE	WITH INTEGRAL THERMOCOUPLE	
		
<b>DA</b> Page 02 – 03	<b>DTA</b> Page 04	

TRANSMITTER					
STANDARD			SAFETY CERTIFIED		
FIXED SHAFT	FLEXIBLE SHAFT		FIXED SHAFT	FLEXIBLE SHAFT	
WITHOUT INTEGRAL THERMOCOUPLE	WITH INTEGRAL THERMOCOUPLE		WITHOUT INTEGRAL THERMOCOUPLE	WITH INTEGRAL THERMOCOUPLE	
					
<b>DAI</b> Page 05 – 06	<b>DTAI</b> Page 07		<b>HPL</b> Page 08 – 09	<b>HPLT</b> Page 10	



**DESIGN**

**DA**

DTA

DAI

DTAI

HPL

HPLT

**Without flexible capillary**

With flexible capillary



Operating Temperature
≤ 300°C
≤ 450°C

Thread Size
½" UNF-20
M18 x 1.5

Shaft Length
38mm [1 ½"]
50mm [2"]
76mm [3"]
<b>152mm [6"]</b>
203mm [8"]
254mm [10"]
318mm [12 ½"]
356mm [14"]
457mm [18"]

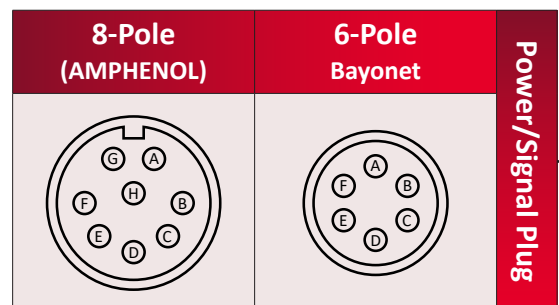
Pressure Rating	
50 Bar	750 PSI
100 Bar	1,500 PSI
200 Bar	3,000 PSI
350 Bar	5,000 PSI
400 Bar	6,000 PSI
500 Bar	7,500 PSI
600 Bar	9,000 PSI
700 Bar	10,000 PSI
800 Bar	
1,000 Bar	
1,400 Bar	
2,000 Bar	

Supply Voltage
<b>6-10 V [DC]</b>

Output Signal
2.0 mV/V
2.5 mV/V
<b>3.3 mV/V</b>

Accuracy
≤ ± 0.75%
≤ ± 0.50%
≤ ± 0.25%

Shut Down Point <small>(Leave blank if not required)</small>
%



**DESIGN**

**DA**

DTA

DAI

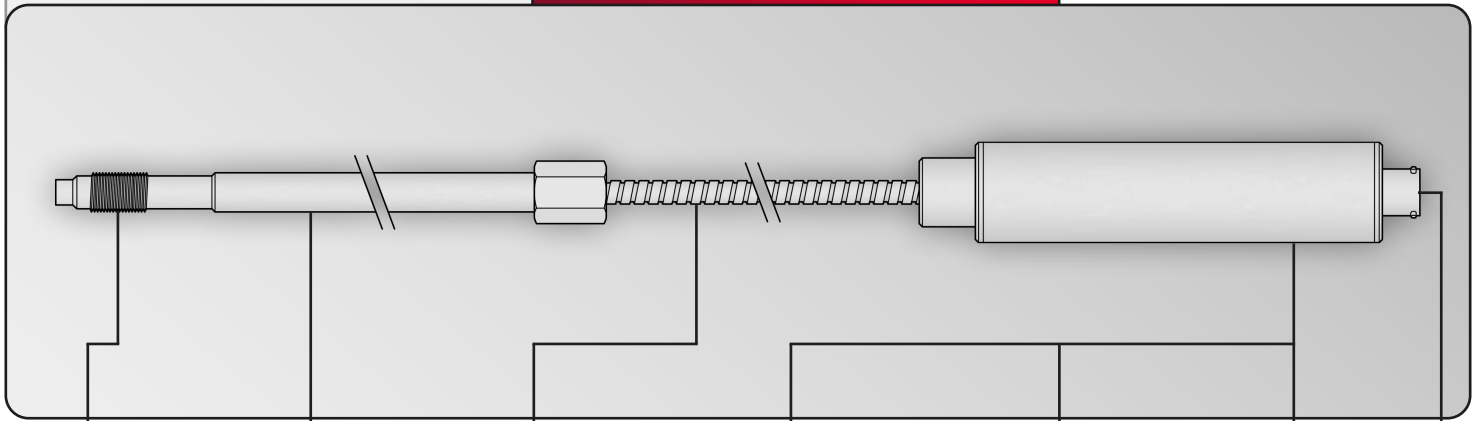
DTAI

HPL

HPLT

Without flexible capillary

**With flexible capillary**



Operating Temperature
≤ 300°C
≤ 450°C

Thread Size
½" UNF-20
M18 x 1.5

Shaft Length
38mm [1 ½"]
50mm [2"]
76mm [3"]
<b>152mm [6"]</b>
203mm [8"]
254mm [10"]
318mm [12 ½"]
356mm [14"]
457mm [18"]

Capillary Length
<b>457mm [18"]</b>
610mm [24"]
762mm [30"]

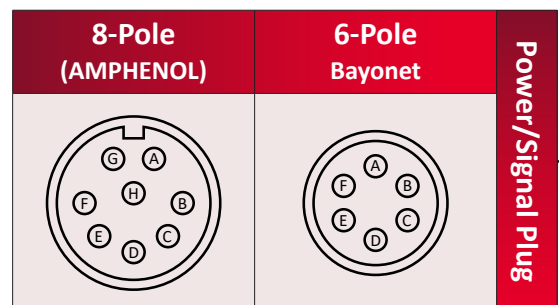
Pressure Rating	
50 Bar	750 PSI
100 Bar	1,500 PSI
200 Bar	3,000 PSI
350 Bar	5,000 PSI
400 Bar	6,000 PSI
500 Bar	7,500 PSI
600 Bar	9,000 PSI
700 Bar	10,000 PSI
800 Bar	
1,000 Bar	
1,400 Bar	
2,000 Bar	

Supply Voltage
<b>6-10 V [DC]</b>

Output Signal
2.0 mV/V
2.5 mV/V
<b>3.3 mV/V</b>

Accuracy
≤ ± 0.75%
≤ ± 0.50%
≤ ± 0.25%

Shut Down Point
(Leave blank if not required)
%



**DESIGN**

DA

**DTA**

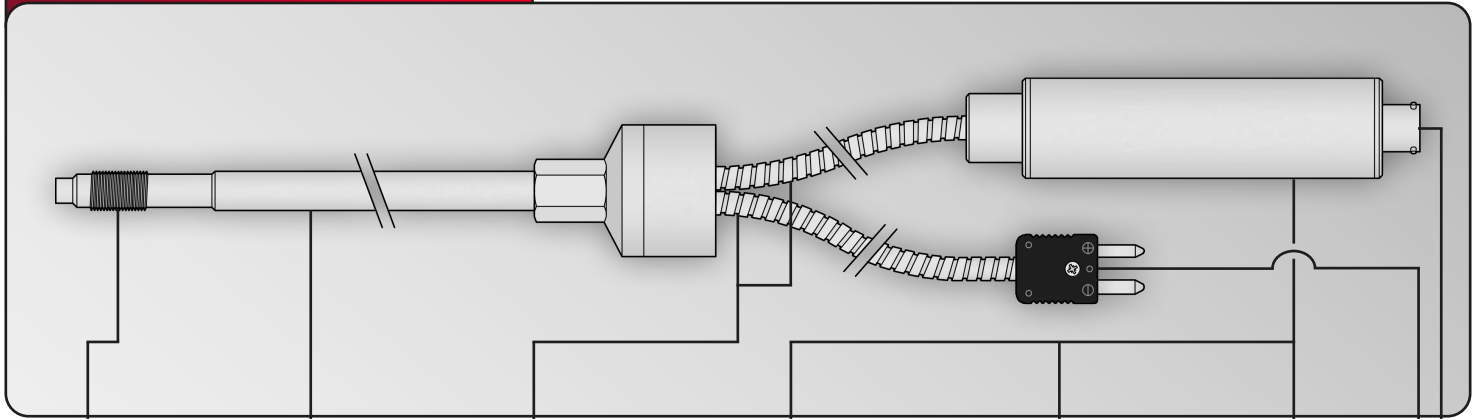
DAI

DTAI

HPL

HPLT

**With flexible capillary**



**Operating Temperature**

≤ 300°C  
≤ 450°C

**Thread Size**

½" UNF-20  
M18 x 1.5

**Shaft Length**

38mm [1 ½"]  
50mm [2"]  
76mm [3"]  
**152mm [6"]**  
203mm [8"]  
254mm [10"]  
318mm [12 ½"]  
356mm [14"]  
457mm [18"]

**Capillary Length**

**457mm [18"]**  
610mm [24"]  
762mm [30"]

**Pressure Rating**

50 Bar	750 PSI
100 Bar	1,500 PSI
200 Bar	3,000 PSI
350 Bar	5,000 PSI
400 Bar	6,000 PSI
500 Bar	7,500 PSI
600 Bar	9,000 PSI
700 Bar	10,000 PSI
800 Bar	
1,000 Bar	
1,400 Bar	
2,000 Bar	

**Supply Voltage**

6-10 V [DC]

**Output Signal**

2.0 mV/V  
2.5 mV/V  
**3.3 mV/V**

**Accuracy**

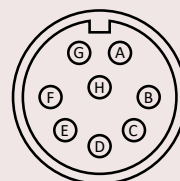
≤ ± 0.75%  
≤ ± 0.50%  
≤ ± 0.25%

**Shut Down Point**  
(Leave blank if not required)

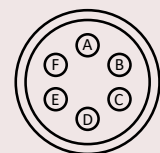
%

<b>Type 'J'</b>	<b>Thermocouple Plug</b>
Type 'K'	
Type 'L'	
PT100	2 Pin
	3 Pin
	4 Pin

**8-Pole (AMPHENOL)**



**6-Pole Bayonet**



**Power/Signal Plug**

**DESIGN**

DA

DTA

**DAI**

DTAI

HPL

HPLT

**Without flexible capillary**

With flexible capillary



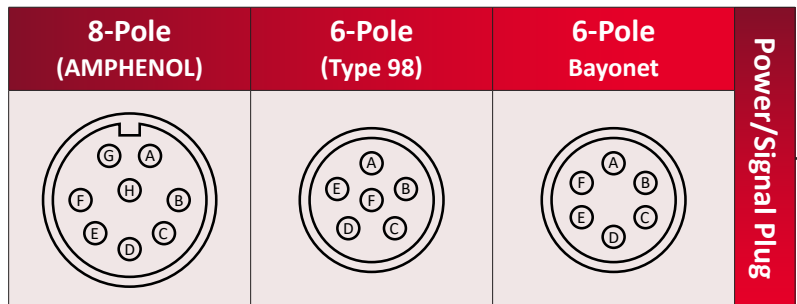
Operating Temperature
≤ 300°C
≤ 450°C
Thread Size
½" UNF-20
M18 x 1.5

Shaft Length
38mm [1 ½"]
50mm [2"]
76mm [3"]
<b>152mm [6"]</b>
203mm [8"]
254mm [10"]
318mm [12 ½"]
356mm [14"]
457mm [18"]

Pressure Rating	
50 Bar	750 PSI
100 Bar	1,500 PSI
200 Bar	3,000 PSI
350 Bar	5,000 PSI
400 Bar	6,000 PSI
500 Bar	7,500 PSI
600 Bar	9,000 PSI
700 Bar	10,000 PSI
800 Bar	
1,000 Bar	
1,400 Bar	
2,000 Bar	

Supply Voltage	
<b>12-36 V [DC]</b>	
Output Signal	
0-20 mA	3 Wire
	4 Wire
4-20 mA	2 Wire
	3 Wire
	4 Wire
0-10 V	3 Wire
	4 Wire
2-10 V	3 Wire
	4 Wire

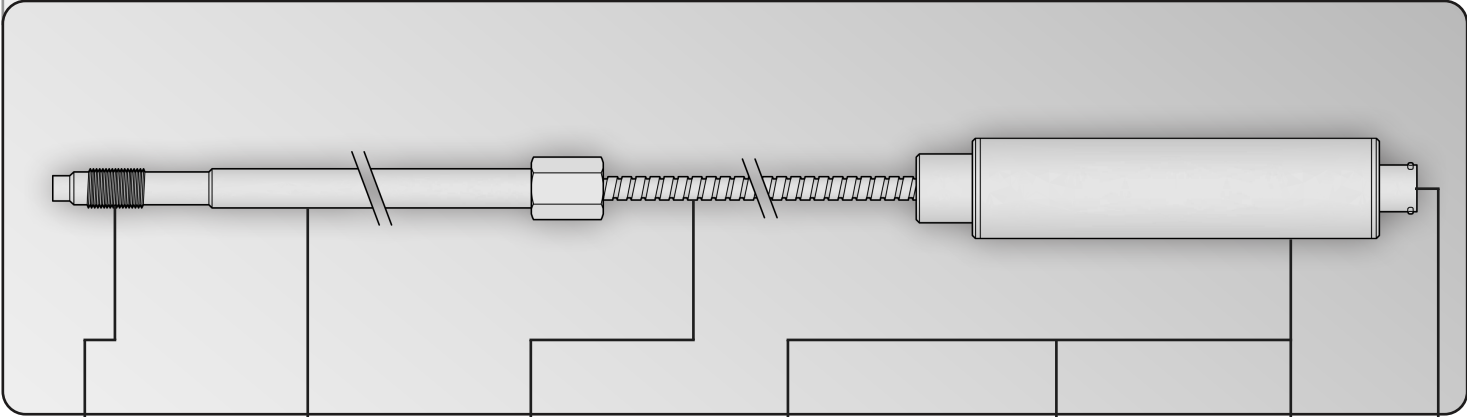
Accuracy
≤ ± 0.75%
≤ ± 0.50%
≤ ± 0.25%
Shut Down Point
(Leave blank if not required)
%



**DESIGN**

DA	DTA	<b>DAI</b>	DTAI	HPL	HPLT
----	-----	------------	------	-----	------

Without flexible capillary	<b>With flexible capillary</b>
----------------------------	--------------------------------



Operating Temperature
≤ 300°C
≤ 450°C

Thread Size
½" UNF-20
M18 x 1.5

Shaft Length
38mm [1 ½"]
50mm [2"]
76mm [3"]
152mm [6"]
203mm [8"]
254mm [10"]
318mm [12 ½"]
356mm [14"]
457mm [18"]

Capillary Length
457mm [18"]
610mm [24"]
762mm [30"]

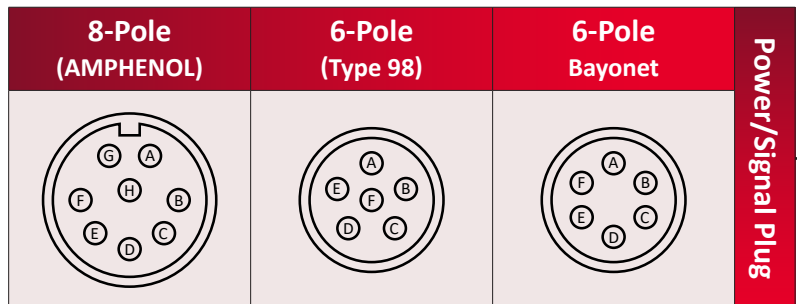
Pressure Rating	
50 Bar	750 PSI
100 Bar	1,500 PSI
200 Bar	3,000 PSI
350 Bar	5,000 PSI
400 Bar	6,000 PSI
500 Bar	7,500 PSI
600 Bar	9,000 PSI
700 Bar	10,000 PSI
800 Bar	
1,000 Bar	
1,400 Bar	
2,000 Bar	

Supply Voltage
12-36 V [DC]

Output Signal	
0-20 mA	3 Wire
	4 Wire
4-20 mA	2 Wire
	3 Wire
	4 Wire
0-10 V	3 Wire
	4 Wire
2-10 V	3 Wire
	4 Wire

Accuracy
≤ ± 0.75%
≤ ± 0.50%
≤ ± 0.25%

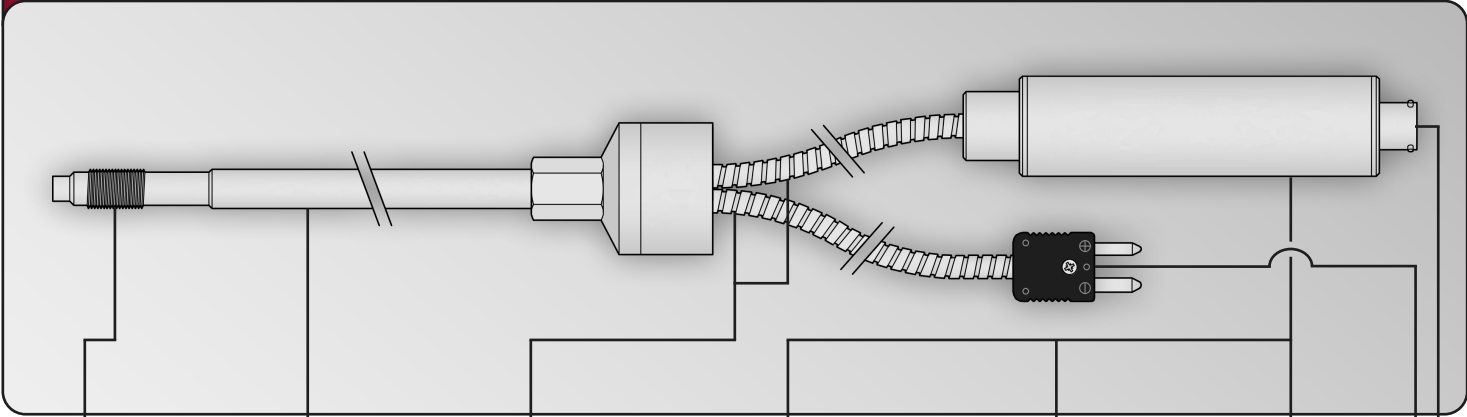
Shut Down Point
(Leave blank if not required)
%



**DESIGN**

DA	DTA	DAI	<b>DTAI</b>	HPL	HPLT
----	-----	-----	-------------	-----	------

**With flexible capillary**



Operating Temperature
≤ 300°C
≤ 450°C

Thread Size
½" UNF-20
M18 x 1.5

Shaft Length
38mm [1 ½"]
50mm [2"]
76mm [3"]
152mm [6"]
203mm [8"]
254mm [10"]
318mm [12 ½"]
356mm [14"]
457mm [18"]

Capillary Length
457mm [18"]
610mm [24"]
762mm [30"]

Pressure Rating	
50 Bar	750 PSI
100 Bar	1,500 PSI
200 Bar	3,000 PSI
350 Bar	5,000 PSI
400 Bar	6,000 PSI
500 Bar	7,500 PSI
600 Bar	9,000 PSI
700 Bar	10,000 PSI
800 Bar	
1,000 Bar	
1,400 Bar	
2,000 Bar	

Supply Voltage
12-36 V [DC]

Output Signal	
0-20 mA	3 Wire
	4 Wire
4-20 mA	2 Wire
	3 Wire
	4 Wire
0-10 V	3 Wire
	4 Wire
2-10 V	3 Wire
	4 Wire

Accuracy
≤ ± 0.75%
≤ ± 0.50%
≤ ± 0.25%

Shut Down Point
(Leave blank if not required)
%

Type 'J'	Thermocouple Plug
Type 'K'	
Type 'L'	
PT100	
	2 Pin
	3 Pin
	4 Pin

8-Pole (AMPHENOL)	6-Pole (Type 98)	6-Pole Bayonet	Power/Signal Plug



**DESIGN**

DA

DTA

DAI

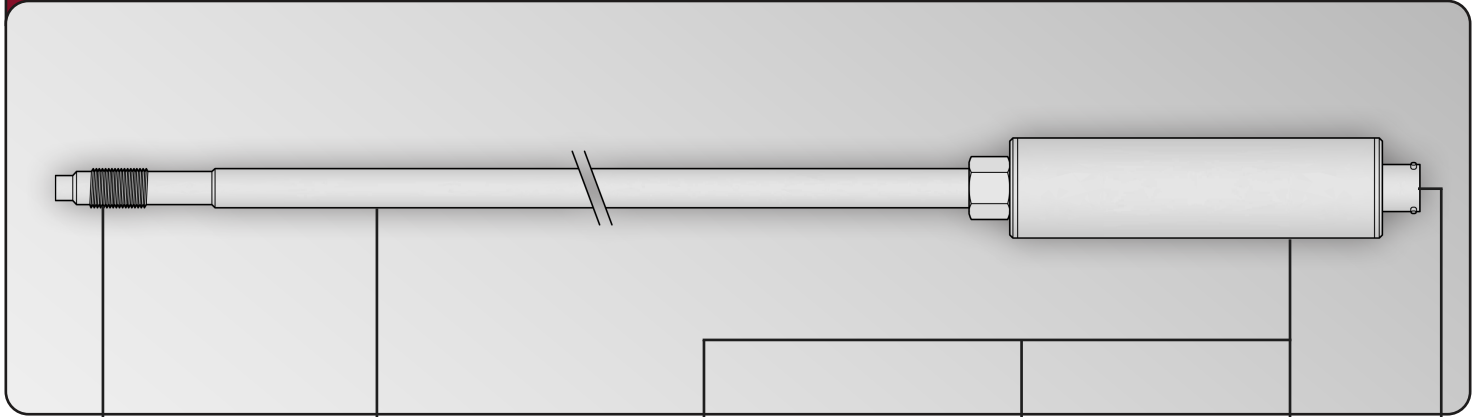
DTAI

**HPL**

HPLT

**Without flexible capillary**

With flexible capillary



**Operating Temperature**

≤ 300°C

≤ 450°C

**Thread Size**

½" UNF-20

M18 x 1.5

**Shaft Length**

38mm [1 ½"]

50mm [2"]

76mm [3"]

**152mm [6"]**

203mm [8"]

254mm [10"]

318mm [12 ½"]

356mm [14"]

457mm [18"]

**Pressure Rating**

50 Bar 750 PSI

100 Bar 1,500 PSI

200 Bar 3,000 PSI

350 Bar 5,000 PSI

400 Bar 6,000 PSI

500 Bar 7,500 PSI

600 Bar 9,000 PSI

700 Bar 10,000 PSI

800 Bar

1,000 Bar

1,400 Bar

2,000 Bar

**Supply Voltage**

**12-36 V [DC]**

**Output Signal**

0-20 mA 

3 Wire
4 Wire

4-20 mA 

2 Wire
3 Wire
4 Wire

0-10 V 

3 Wire
4 Wire

2-10 V 

3 Wire
4 Wire

**Accuracy**

≤ ± 0.50%

≤ ± 0.25%

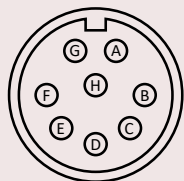
≤ ± 0.15%

**Shut Down Point**

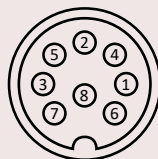
(Leave blank if not required)

%

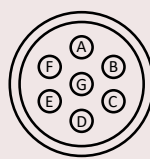
**8-Pole (AMPHENOL)**



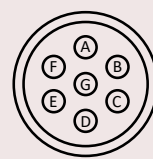
**8-Pole (BINDER)**



**7-Pole (+80%)**



**7-Pole**



**Power/Signal Plug**

**DESIGN**

DA

DTA

DAI

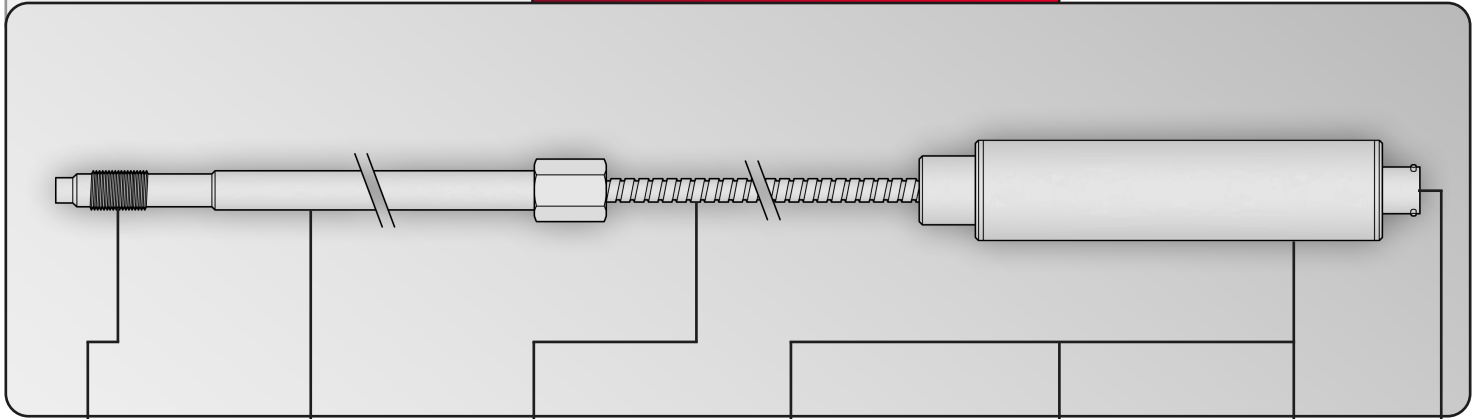
DTAI

**HPL**

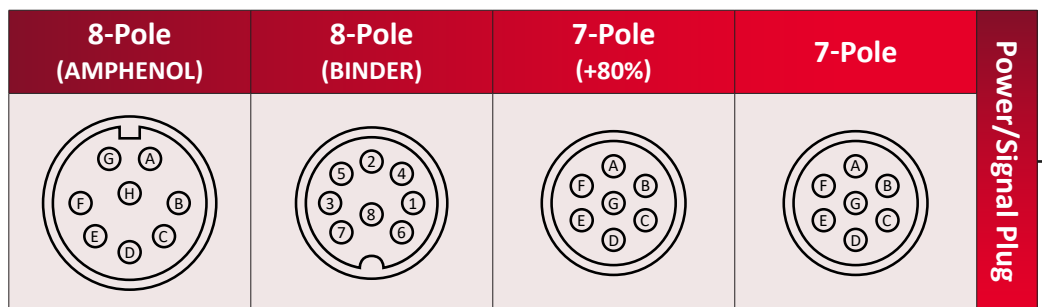
HPLT

Without flexible capillary

**With flexible capillary**



<b>Operating Temperature</b>	<b>Shaft Length</b>	<b>Capillary Length</b>	<b>Pressure Rating</b>		<b>Supply Voltage</b>	<b>Accuracy</b>
≤ 300°C	38mm [1 ½"]	<b>457mm [18"]</b>	50 Bar	750 PSI	<b>12-36 V [DC]</b>	≤ ± 0.50%
≤ 450°C	50mm [2"]	610mm [24"]	100 Bar	1,500 PSI		≤ ± 0.25%
<b>Thread Size</b> ½" UNF-20 M18 x 1.5	76mm [3"]	762mm [30"]	200 Bar	3,000 PSI	<b>Output Signal</b>	≤ ± 0.15%
	<b>152mm [6"]</b>		350 Bar	5,000 PSI		0-20 mA <span style="font-size: small;">3 Wire</span>
	203mm [8"]		400 Bar	6,000 PSI		
	254mm [10"]		500 Bar	7,500 PSI		0-10 V <span style="font-size: small;">3 Wire</span>
	318mm [12 ½"]		600 Bar	9,000 PSI		
	356mm [14"]		700 Bar	10,000 PSI		3 Wire
	457mm [18"]		800 Bar			
			1,000 Bar			
		1,400 Bar				
		2,000 Bar				
					<b>Shut Down Point</b> (Leave blank if not required)	
					%	



**DESIGN**

DA

DTA

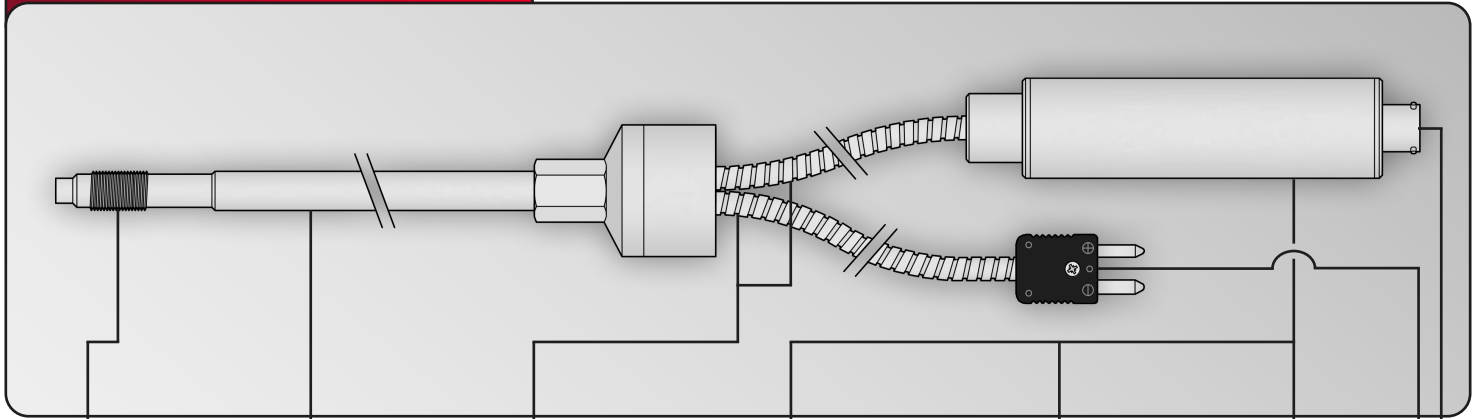
DAI

DTAI

HPL

**HPLT**

**With flexible capillary**



Operating Temperature
≤ 300°C
≤ 450°C

Thread Size
½" UNF-20
M18 x 1.5

Shaft Length
38mm [1 ½"]
50mm [2"]
76mm [3"]
<b>152mm [6"]</b>
203mm [8"]
254mm [10"]
318mm [12 ½"]
356mm [14"]
457mm [18"]

Capillary Length
<b>457mm [18"]</b>
610mm [24"]
762mm [30"]

Pressure Rating	
50 Bar	750 PSI
100 Bar	1,500 PSI
200 Bar	3,000 PSI
350 Bar	5,000 PSI
400 Bar	6,000 PSI
500 Bar	7,500 PSI
600 Bar	9,000 PSI
700 Bar	10,000 PSI
800 Bar	
1,000 Bar	
1,400 Bar	
2,000 Bar	

Supply Voltage
<b>12-36 V [DC]</b>

Output Signal	
0-20 mA	3 Wire
	4 Wire
4-20 mA	2 Wire
	3 Wire
	4 Wire
0-10 V	3 Wire
	4 Wire
2-10 V	3 Wire
	4 Wire

Accuracy
≤ ± 0.50%
≤ ± 0.25%
≤ ± 0.15%

Shut Down Point
(Leave blank if not required)
%

Type 'J'	Thermocouple Plug
Type 'K'	
Type 'L'	
PT100	
	2 Pin
	3 Pin
	4 Pin

